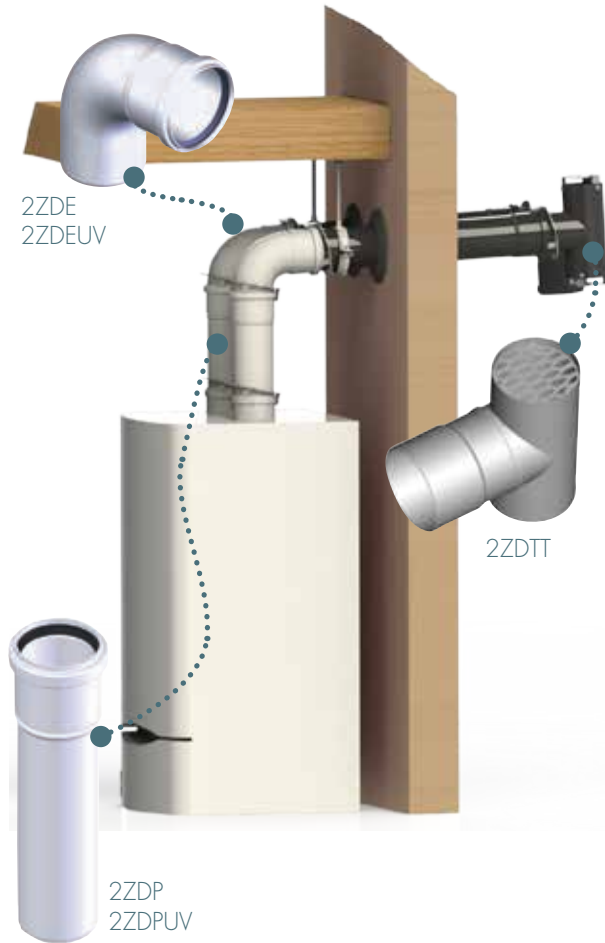
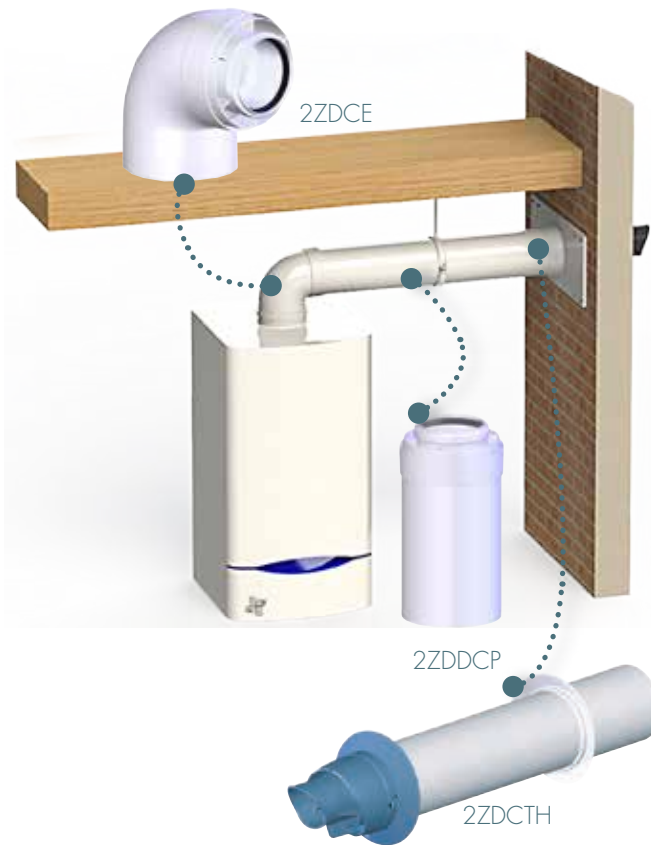


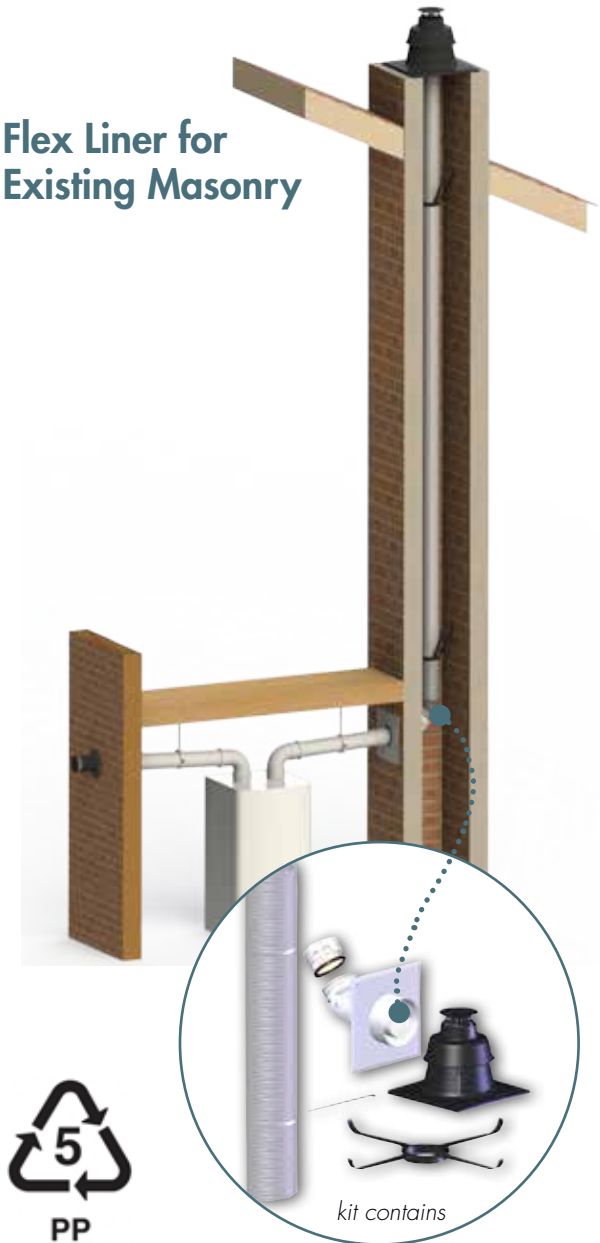
## Single Wall



## Concentric



## Flex Liner for Existing Masonry



- Intertek listed to ULC S636
- 230°F Max. Flue Gas Temperature

*Information subject to change without notice.*

- Zero Clearance to Combustibles
- Conforms to UL 1738

- Recyclable/Environmentally friendly
- 10 Year Limited Warranty

